

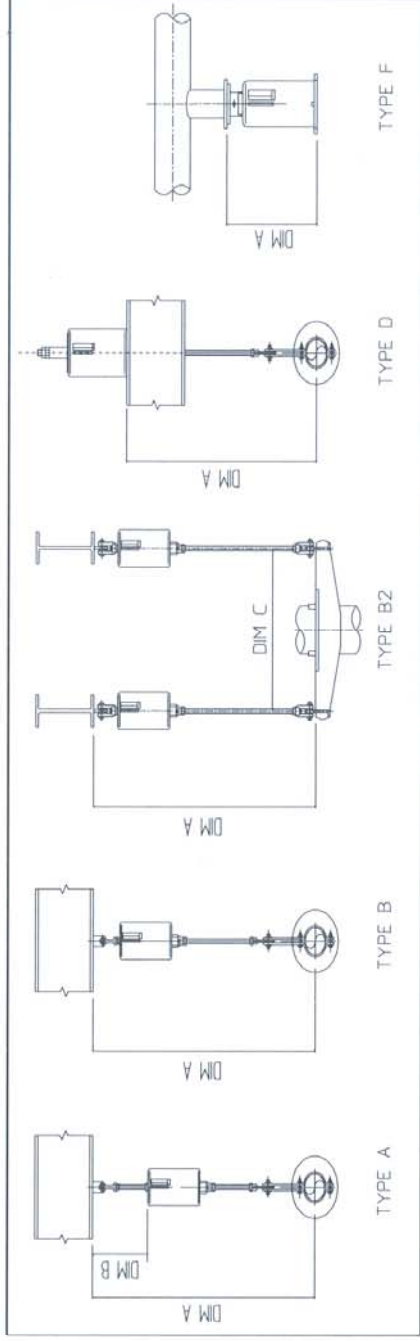


LISEGA, Inc.  
375 Lisega Blvd.  
Newport, TN 37821

Phone: (423) 625-2000  
Fax: (423) 625-9009  
website: lisega.com

# LISEGA

## RFQ and Order Information Sheet for VARIABLE Hangers



**Configuration / Type:** \_\_\_\_\_

CHOOSE TYPE FROM ABOVE SKETCHES

**Quantity:** \_\_\_\_\_

**Pipe Diameter:** \_\_\_\_\_ Inches

**Insulation Thickness:** \_\_\_\_\_ Inches

**Pipe Temperature:** \_\_\_\_\_ ° \_\_\_\_\_  
DEGREES

PLEASE INDICATE "F" OR "C" TEMPERATURE SCALE

**LISEGA Part Number:** \_\_\_\_\_  
IF KNOWN

**Competitor's Part Number:** \_\_\_\_\_  
IF KNOWN

**Hot / Operating Load:** \_\_\_\_\_ (lbs)

**Cold / Install Load:** \_\_\_\_\_ (lbs)

**Vertical Movement:** \_\_\_\_\_ Inches

**Up:** \_\_\_\_\_ **Down:** \_\_\_\_\_  
PLEASE INDICATE DIRECTION OF MOVEMENT

**Lateral Movement:** \_\_\_\_\_ Inches  
IF APPLICABLE

**Horizontal Movement:** \_\_\_\_\_ Inches  
IF APPLICABLE

**ADDITIONAL NOTES:**