

The Model 3150 is a simple pneumatic level control device designed for low pressure applications. Available with either 2" NPT or 4" Union vessel connection, the Model 3150 is designed with few moving parts to provide consistent, dependable service.

## Specifications

### Body Size

2" Threaded  
4" Union

### Operating Pressure Limit

500 psi

### Float

| Size              | 2" x 6" | 3.5" x 6" | 3" x 6" |
|-------------------|---------|-----------|---------|
| Working Pressure  | 500 psi | 500 psi   | 500 psi |
| Collapse Pressure | 720 psi | 800 psi   | 850 psi |

### Operating Temperature Limits

-50 to 212°F

### Supply Pressure

75 psi

### 3-Way Pilot Connections

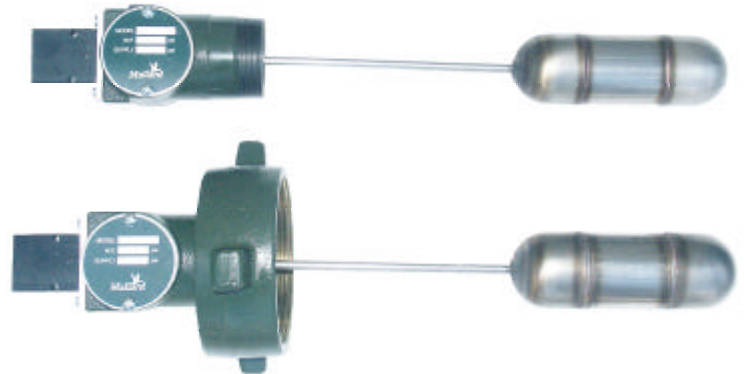
1/4" FNPT

### Materials of Construction

|           |                 |
|-----------|-----------------|
| Body      | Ductile Iron    |
| Float     | Stainless Steel |
| Float Arm | Stainless Steel |
| Seals     | Buna            |
| Bushing   | Brass           |

## Features

- Pneumatic Pilot
- Cost Effective
- 2" Threaded or 4" Union
- Choice of Float Size and Float Arm Extension Length



ISO 9001  
Registered Company

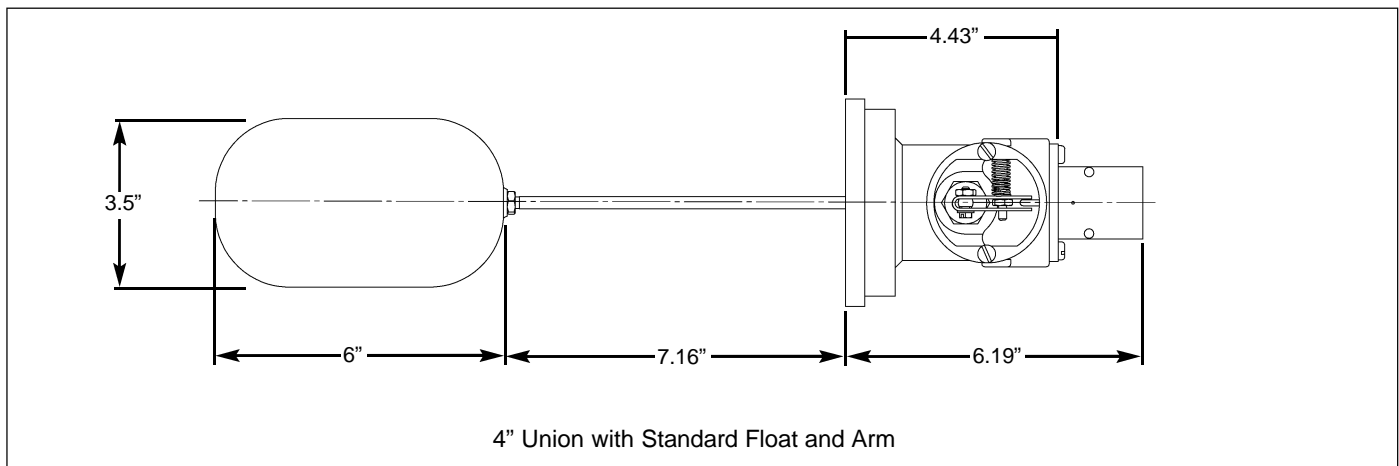
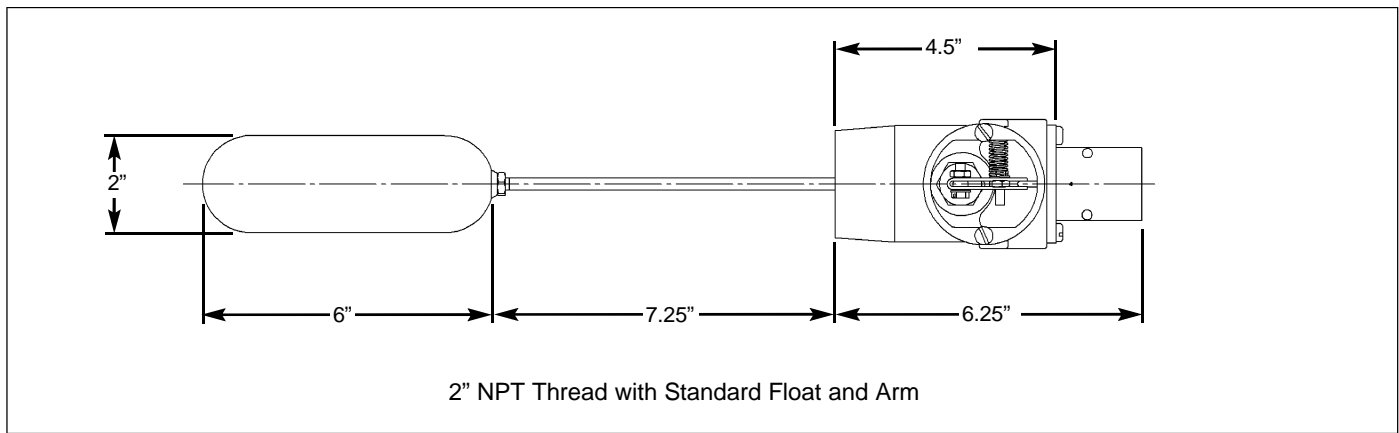
**QOT**  
Quality - On Time

**Model Number Information**

Sample Model Number: 3150 - 2T 1

| BODY SIZE/ END CONNECTION | CODE |
|---------------------------|------|
| 2" / Threaded             | 2T   |
| 4" / Union                | 4U   |
| FLOAT                     | CODE |
| 2" x 6"                   | 1    |
| 3" x 6"                   | 2    |
| 3.5" x 6"                 | 3    |
| OPTIONS                   | CODE |
| None                      |      |
| 4" X 5" Nipple            | N    |

**Dimensions**



While this information is presented in good faith and believed to be accurate, Mallard Control Company does not guarantee results based upon such information. Mallard Control Company reserves the right to change the design or specifications of these products without notice.

**Mallard Control Company, Inc.**

4970 Washington Boulevard  
 Beaumont, Texas, USA 77707  
 409 842-5392 Phone  
 409 842-8165 FAX  
 www.MallardControl.com

Distribuidor en México

LAVISIA, S.A. de C.V.  
 Teléfonos 55.1106.0000 Fax 55.5000.3623  
 Correo electrónico ventas: ventas@lavisia.net  
 Página Web: www.lavisia.net