

The Model "40MU" (4" Mallard Union) is a hammer nut closure designed to be used in conjunction with the Model 3200 or 3201 Liquid Level Controller (not included). The Mallard Union also incorporates in its design, compact sightglasses for liquid level indication at the entry point of the level control into the vessel.

Features:

- Hammer nut closure for quick and easy installation and removal.
- Built in sightglasses for local liquid level indication.

Options:

- 8" long mating pipe nipple.
- NACE MR-01-75 compliance option.

Specifications:

Process Connection Size & Type

4" Mallard Hammer Nut Union

Pressure Rating ^{1,2}

1500 psig

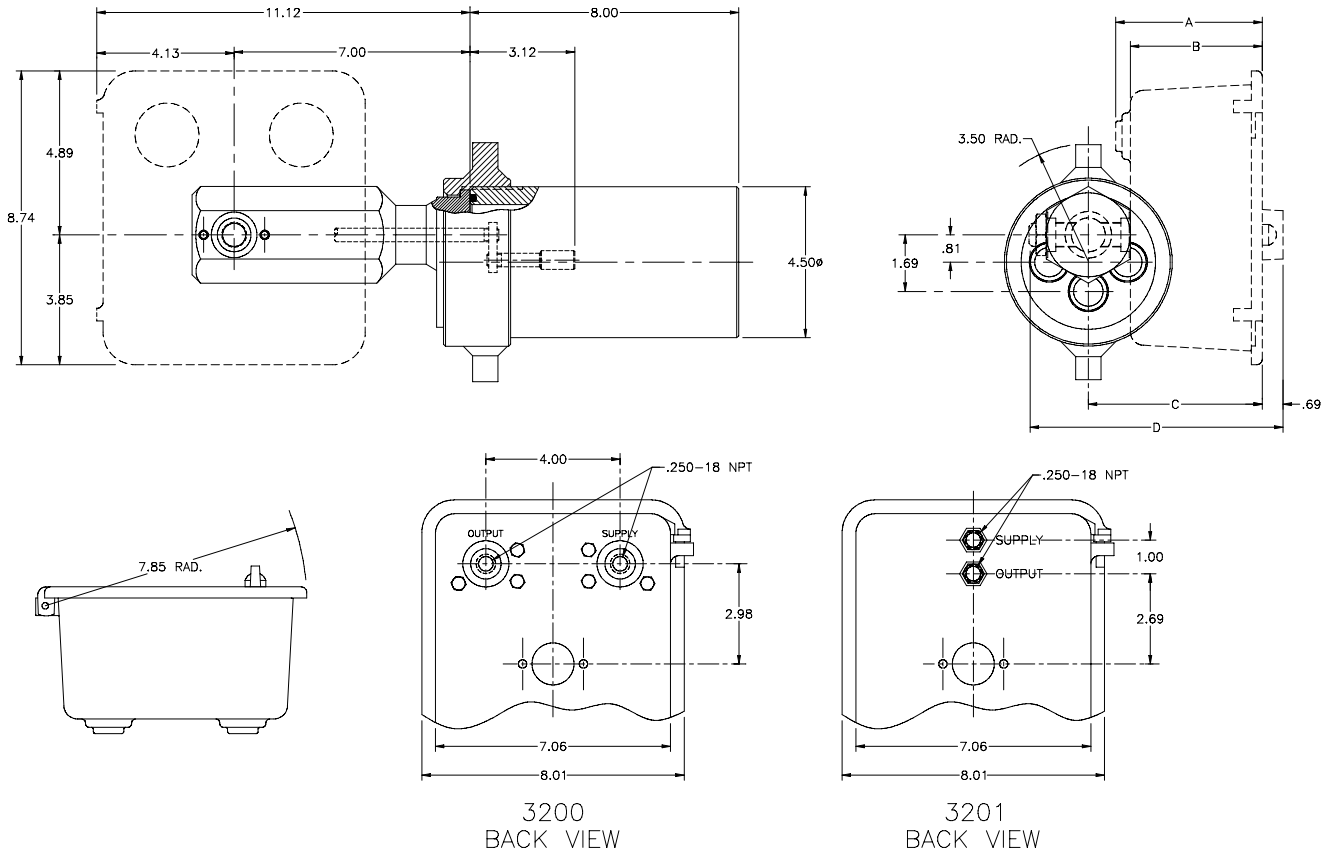
Materials of Construction:

Level Control Body:	1018 Steel
Hammer Nut:	1018 Steel
8" Union Nipple:	A106 Steel
Sightglasses:	Acrylic
Reflector:	316SST
Seals:	Buna Viton (optional)
Offset Connector:	316 SST
Displacer Arms:	302 SST

1. Maximum pressure rating @ 100° F (38° C).
2. Rating dependent upon displacer selection.



Dimensions:



While this information is presented in good faith and believed to be accurate, Mallard Control Company does not guarantee results based upon such information. Mallard Control Company reserves the right to change the design or specifications of these products without notice.

Mallard Control Company, Inc.

4970 Washington Boulevard
 Beaumont, Texas, USA 77707
 409 842-5392 Phone
 409 842-8165 FAX
 www.MallardControl.com

Distribuidor en México

LAVISA, S.A. de C.V.
 Teléfonos 55.1106.0000 Fax 55.5000.3623
 Correo electrónico ventas: ventas@lavisa.net
 Página Web: www.lavisa.net